

350 YEARS
of gunmaking tradition

1674

D. VICO  SABBATI 

The Val Trompia is a mountain region in Northern Italy, in the province of Brescia, characterized by an interesting historical, artistic and cultural heritage.

The history of Val Trompia and the populations who have lived there for millennia is literally forged in iron: many historical documents testify to the processing of metals and the production of weapons in Val Trompia since ancient times.

Examples of this ancient Italian arms making tradition are showcased in the most important museums around the world and reveal the ingenuity and high degree of refinement achieved by the artisans of various eras.

The Sabatti gunmaking tradition was born in this historical reality, with a wide family active for 350 years in all specializations connected to the manufacturing of firearms.



MASTER GUNMAKERS FOR THREE CENTURIES, GUNSMITHS SINCE ALWAYS



The name SABATTI has occurred in the history of Val Trompia for centuries, since the origins of the first lock makers, barrel makers and gun makers active in the valley.

1674

350 years ago, Lodovico Sabatti was born in Val Trompia, the founder of what would become one of the oldest families in the entire panorama of the global arms industry, still active today.

Active in Gardone Val Trompia since the early 18th century, in addition to building excellent flintlock pistols, "l'archibusaro" (gun maker) Lodovico Sabatti was also an appreciated "cannoniere" (barrel maker).

Giuseppe Sabatti was also an esteemed and skilled manufacturer of firearms, active in Gardone Val

Trompia between 1760 and 1815.

In the first half of the 19th century, another Giuseppe Sabatti was instead specialized in the manufacturing of barrels, considered among the best makers of damascus barrels.

Then, between 1840 and 1880, the Master barrel maker Domenico Sabatti and the gun maker Giovanni Sabatti were active.

In addition to barrels, the Sabatti family has always been active in the manufacturing of locks, the shooting systems, which today we call "actions".

In fact, when in 1848 the provisional government of Brescia asked the artisans of Val Trompia *"not for blood, but for their work in defense of*

the homeland", four out of ten steel workers were Sabatti.

There are many members of the various branches of the Sabatti family who over the years, alone or in partnership with others, have carried on these activities up to the present days.

However, it was in the immediate post-war period (1946) that Antonio Sabatti in partnership with Giuseppe Tanfoglio gave new strength to the production of components for hunting rifles, this time preferring the manufacturing of locks.

Around 1956 the two partners also began the production of semi-automatic pistols for personal defense,

but after four years the company was dissolved, assigning each of the two partners a different sector of activity.

Following this separation, in 1960 Antonio Sabatti's sons established a new company which has grown since then and gained an important role in the global panorama of sporting weapons manufacturers.

Today, Emanuele, Antonio and Marco, nephews of Antonio Sabatti, continue to produce increasingly better hunting and target rifles, more than ever meeting the expectations of customers all over the world.

And still today the strengths of Sabatti guns are in the quality of the barrels and the actions.



In recent years the global arms industry has experienced an exponential growth in the offer, also due in part to the incredible technological development we witness every day.

Sabatti followed this development with great attention, both from a design point of view and from that of the industrial investments. Because technology, combined with Sabatti's traditional experience in the production of quality weapons is what has always guided the company in its constant evolution.

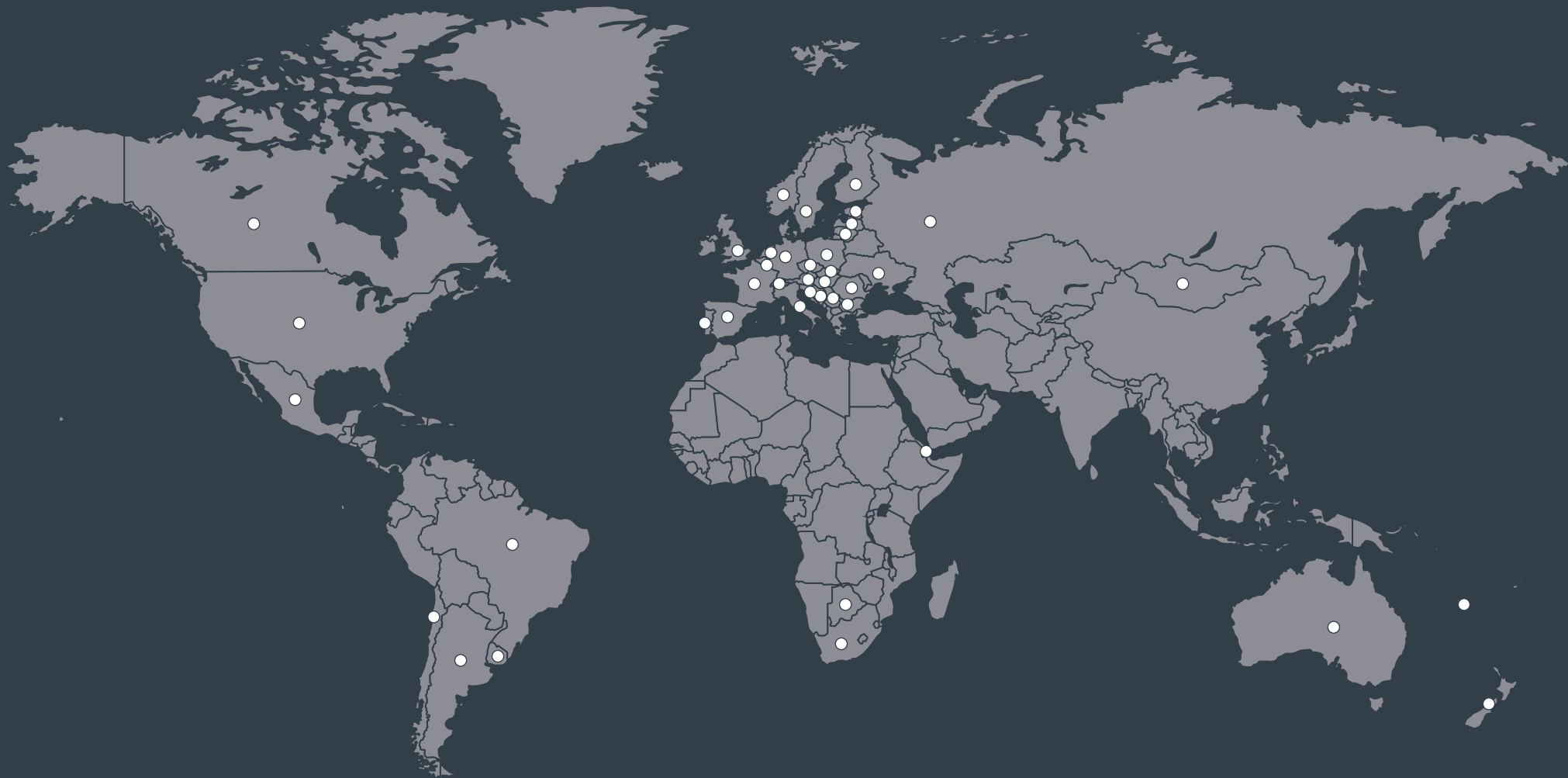
TECHNOLOGY



The Sabatti family has operated in the gun industry, passing down all the acquired experiences from one generation to the next. Nothing has been lost, and experience is exactly what gives the Sabatti weapons the quality that every shooter desires.

From the post-war period to present day, the company has grown significantly, gaining an important role in the global sporting weapons industry. Sabatti guns improve continuously, and their quality is ever more responding to the expectations of customers all over the world.

QUALITY



Between hunting and sport shooting,
Sabatti customers around the world
are distributed in over 40 countries

Sabatti has been operating internationally for many years, serving clients in all major countries where hunting and sport shooting are very popular and traditionally well established.

Over the last forty years, the number of countries served has been growing, in step with the general growth of activities related to sport shooting, but above all also thanks to the ever-increasing interest that long range precision shooting with bolt-action rifles has now reached all over the world. A sector where the quality of the barrels of Sabatti rifles has made the difference.

SABATTI
WORLDWIDE



RIFLES

SPORT

Rifles for precision sport shooting, but not only. Whether at Short, Mid or Long Range, the performance of Sabatti rifles is a fact proven by shooters all over the world.

The Sabatti Tactical EVO rifle is an aesthetically appealing weapon, but above all very accurate. Equipped with a three-lug Sabatti Blizzard action with steel case and bolt, heavy 28mm

cold hammered barrel with Sabatti MRR rifling and Sabatti Match trigger, the Tactical EVO is one of the best precision shooting rifles on the market today. The rifle stock is made of

Nylon loaded with glass fiber, very rigid and resistant: inside, the action rests "suspended" on two supports which eliminate coupling tensions, improving shooting accuracy.



BOLT ACTION
TACTICAL EVO



www.sabatti.com

| Action | Barrel | Rifling | Stock | Trigger | Magazine | Safety | Sights | Weight |
|----------------------------------|--|-------------|--------------------------------|---------------------------|-------------------|---------------------|--------|--------------------|
| Steel 3-lug bolt, steel receiver | 66-71 cm / 26"-28" 28 mm threaded muzzle | Sabatti MRR | Nylon, filled with glass fiber | Sabatti Match, adjustable | Sabatti, 3 rounds | Manual, 2 positions | None | 6,4 kg 14.1 lbs |
| Calibers | .223 Rem, 6 Crdmr, 6,5x47 Lapua, 6.5 Crdmr, 6,5x55 SE, 6,5 PRC, .284 Shehane, .308 Win, .300 Win Mag | | | | | | | |

TACTICAL EVO US



The Sabatti Tactical EVO US rifle is a lighter version of the Tactical EVO model, of which it maintains the general design, but is intended for dynamic shooting competitions such as those PRS (Precision Rifle Series).

The Tactical EVO US rifle features a three-lug action, Sabatti Match trigger and a cold-hammered barrel with Sabatti MRR rifling. Differently from the Tactical EVO, the barrel is shorter, 22mm diameter at muzzle. The stock is also different, lighter and

made of a high-resistance polymer. The Tactical EVO US comes standard with a 20 MOA Picatinny rail on the action, a muzzle brake, a Picatinny rail under the forend for attaching a bipod and two Quick Detachment cups for a carrying sling.



BOLT ACTION TACTICAL EVO US

| Action | Barrel | Rifling | Stock | Trigger | Magazine | Safety | Sights | Weight |
|---|---|-------------|---------|---------------------------|------------------------|---------------------|----------------------------------|--------------------|
| Steel 3-lug bolt, aluminum alloy receiver | 56-66 cm / 22"-26" 22 mm threaded muzzle | Sabatti MRR | Polymer | Sabatti Match, adjustable | Sabatti AICS, 7 rounds | Manual, 2 positions | None, with 20 MOA Picatinny rail | 5,2 kg 11,4 lbs |

| | |
|-----------------|--|
| Calibers | (AICS magazine) 6 Crdmr, 6,5x47 Lapua, 6,5 Crdmr, 308 Win - (Sabatti magazine) .223 Rem, 6,5x55 SE, .284 Shehane, .300 Win Mag |
|-----------------|--|

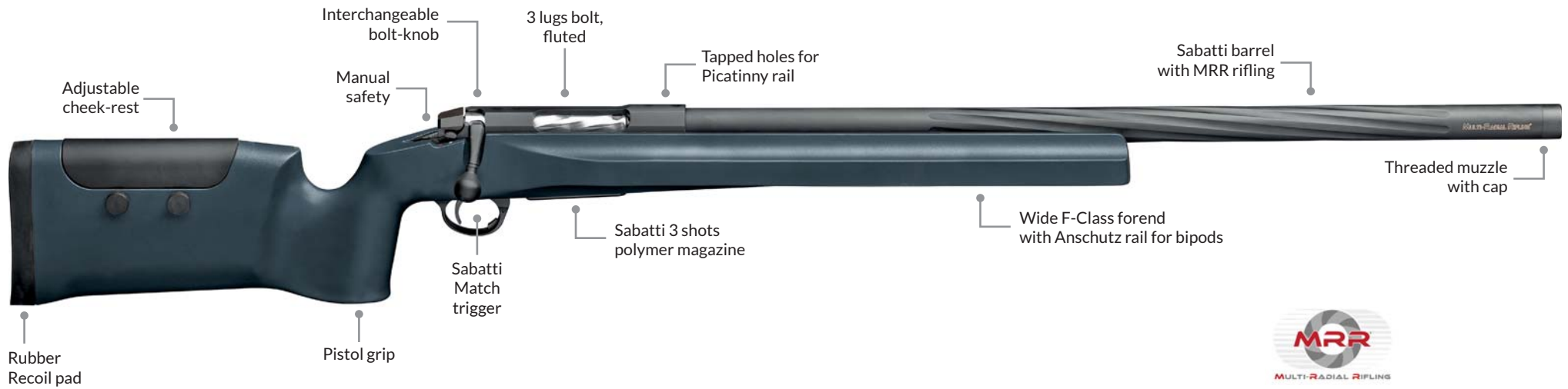


www.sabatti.com

The Sabatti TLD bolt-action rifle summarizes the years of experience gathered by Sabatti in F-Class sport shooting competitions. The rifle uses a three-lug Sabatti Blizzard action, with a steel case

and bolt and Sabatti Match trigger. Inside the stock, the action rests "suspended" on two supports which eliminate coupling tensions, improving shooting precision. The heavy 28mm barrel is cold hammered, with Sabatti MRR multiradial rifling.

The stock has the typical F-Class competition design and is made of high-quality laminated wood. The stock features an adjustable cheek riser and is adjustable by length of pull through a set of issued spacers



TLD Red
On both TLD models the barrel is available plain or fluted

BOLT ACTION TLD



www.sabatti.com

| Action | Barrel | Rifling | Stock | Trigger | Magazine | Safety | Sights | Weight |
|----------------------------------|--|-------------|----------------|---------------|-------------------|---------------------|--------|-----------------|
| Steel 3-lug bolt, steel receiver | 71 cm / 28" 28 mm threaded muzzle | Sabatti MRR | Laminated wood | Sabatti Match | Sabatti, 3 rounds | Manual, 2 positions | None | 6.5 kg 14.3 lbs |
| Calibers | .6,5x47 Lapua, 6.5 Crdmr, .284 Shehane, .308 Win | | | | | | | |

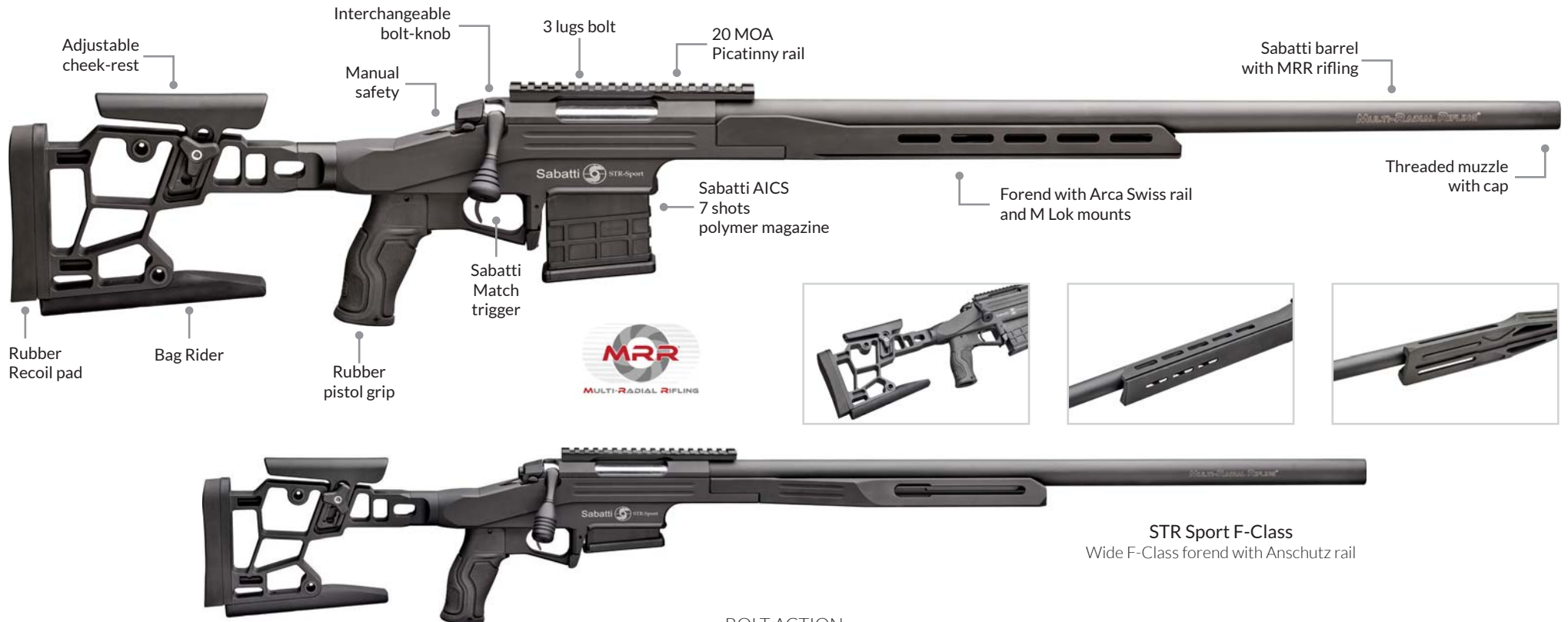
STR SPORT



The Sabatti STR Sport is a precision shooting rifle mounted on a 7075 aluminum alloy chassis. The chassis is available with a standard forend with M-LOK slots and Arca-Swiss rail; or F-Class wide forend, with Anschutz slide. The skeletonized

stock is equipped with Bag Rider and adjustable cheek rest. The action is a three-lugs Sabatti Blizzard with steel case and bolt, 20 MOA Picatinny rail, Sabatti Match trigger and AICS type magazines. The barrel is cold hammered with Sabatti

multiradial MRR rifling: 660mm long with a muzzle diameter of 22mm in the STR Sport version; 710mm long with a diameter of 28mm in the STR Sport FC version.



STR Sport F-Class
Wide F-Class forend with Anschutz rail

BOLT ACTION STR SPORT

| Action | Barrel | Rifling | Stock | Trigger | Magazine | Safety | Sights | Weight |
|----------------------------------|---|-------------|---------------------|---------------|-----------------------------|---------------------|----------------------------------|------------------|
| Steel 3-lug bolt, steel receiver | 66 cm / 26" - volata 22 mm 71 cm / 28" - volata 28 mm Threaded muzzle | Sabatti MRR | 7075 aluminum alloy | Sabatti Match | Sabatti AICS, 4 or 7 rounds | Manual, 2 positions | None, with 20 MOA Picatinny rail | 6 kg 13.2 lbs |

| | |
|-----------------|-----------------------------------|
| Calibers | 6,5x47 Lapua, 6,5 Crdmm, .308 Win |
|-----------------|-----------------------------------|



www.sabatti.com

The Sabatti ST-18 was introduced to complete the range of Sabatti bolt-action rifles with a model with more tactical and compact design features. The ST-18 is a versatile rifle, with an Ergal-55 aluminum alloy chassis on which a three-lug Sabatti

Blizzard action with steel receiver and bolt is mounted. The barrel is cold hammered with MRR multiradial Sabatti rifling and features a muzzle brake. The ST-18 is equipped with a 20 MOA Picatinny rail, Sabatti

Match trigger, 7-round AICS magazines and handguard with M-LOK mounts. The polymer stock is adjustable and foldable, thus making the weapon compact and easy to transport.



16

Sport Shooting Rifles



ST-18 Desert

BOLT ACTION
ST-18



www.sabatti.com

| Action | Barrel | Rifling | Stock | Trigger | Magazine | Safety | Sights | Weight |
|----------------------------------|--|-------------|---------------------|---------------|------------------------|---------------------|----------------------------------|---------------------|
| Steel 3-lug bolt, steel receiver | 51-61-66 cm / 20"-24"-26" 22 mm threaded muzzle | Sabatti MRR | 7075 aluminum alloy | Sabatti Match | Sabatti AICS, 7 rounds | Manual, 2 positions | None, with 20 MOA Picatinny rail | 4,95 kg 10.9 lbs |
| Calibers | 6 Crdmmr, 6,5x47 Lapua, 6.5 Crdmmr, .308 Win | | | | | | | |

URBAN SNIPER



The Sabatti Urban Sniper is a multi-role rifle, suitable for sport shooting, hunting and professional uses. The action is a three-lug Sabatti Blizzard with a steel receiver and bolt, with a 20 MOA Picatinny rail. The heavy 22 mm barrel

is cold hammered with Sabatti MRR multiradial rifling and the rifle comes equipped with a 7-round AICS magazine, muzzle brake and a second Picatinny rail under the forend. The fiberglass-filled nylon thumbhole stock is very rigid and

robust, with adjustable cheek rest, optional butt pad shims, classic sling swivel mounts and quick detach cups for carrying sling.



BOLT ACTION URBAN SNIPER

| Action | Barrel | Rifling | Stock | Trigger | Magazine | Safety | Sights | Weight |
|----------------------------------|---|-------------|---------|------------------|---------------------------|------------------------|--|------------------|
| Steel 3-lug bolt, steel receiver | 51-61 cm / 20"-24" 22 mm threaded muzzle | Sabatti MRR | Polymer | Sabatti Standard | Sabatti AICS, 7 rounds | Manual, 2 positions | None, with 20 MOA Picatinny rail | 4,6 kg 10 lbs |

| | |
|-----------------|---|
| Calibers | (AICS magazine) 6,5x47 Lapua, 6.5 Crdmm, .308 Win - (Sabatti magazine) .223 Rem |
|-----------------|---|



www.sabatti.com

Whether in a sporting or professional context, the Sabatti Rover Shooter rifle was created for precision shooting. The Sabatti Rover action consists of a three-lugs steel bolt, inside an aluminum alloy receiver (Ergal 55) on which a Picatinny

rail is integrated. Heavy 20 mm cold hammered barrel with Sabatti MRR multiradial rifling; Sabatti Jet-Brake muzzle brake; Sabatti Match trigger group; 7-round AICS magazine; robust polymer resin stock with injected carbon matrix (Sabatti ICM

technology), with Harris and M-Lok mounts for bipod. The Sabatti Rover Shooter rifle offers as standard everything you need in a rifle with exceptional performance.



7 shots AICS magazine



7 shots Sabatti magazine

BOLT ACTION
ROVER SHOOTER



| Action | Barrel | Rifling | Stock | Trigger | Magazine | Safety | Sights | Weight |
|---|---|-------------|-------------|---------------|------------------------|---------------------|---------------------------------|-------------------|
| Steel 3-lug bolt, aluminum alloy receiver | 51 cm / 20" 20 mm threaded muzzle | Sabatti MRR | ICM Polymer | Sabatti Match | Sabatti AICS, 7 rounds | Manual, 2 positions | None, with 0 MOA Picatinny rail | 2,8 kg 6,2 lbs |
| Calibers | (AICS magazine) 6.5 Crdmm, .308 Win - (Sabatti magazine) .223 Rem | | | | | | | |

ROVER VARMINT



Within the Sabatti Rover family of rifles, the Rover Varmint model is a special target variant. The action is the Rover one, with 7075 aluminum alloy receiver and integral Picatinny rail for mounting optics. The three lugs bolt is made of steel, is chromed

and is fluted, with a removable bolt knob. Sabatti Match trigger; 7-round AICS magazine; heavy 20 mm cold hammered barrel with Sabatti MRR multiradial rifling, threaded at the muzzle for mounting different kind of muzzle

brakes. The rifle stands out for its stock: an elegant, competition-style design made of laminated wood with a pistol grip, adjustable cheek rest, rubber butt plate and M-Lok multifunction plate under the forend.



BOLT ACTION ROVER VARMINT

| Azione | Canna | Rigatura | Calcio | Scatto | Caricatore | Sicure | Mire | Peso |
|---|--------------------------------------|-------------|----------------|---------------|------------------------|---------------------|---------------------------------|------------------|
| Steel 3-lug bolt, aluminum alloy receiver | 61 cm / 24" 20 mm threaded muzzle | Sabatti MRR | Laminated wood | Sabatti Match | Sabatti AICS, 7 rounds | Manual, 2 positions | None, with 0 MOA Picatinny rail | 3.8 kg 8.4lbs |

| | |
|-----------------|---|
| Calibers | 6.5 Crdmr, 6.5 PRC, 308 Win - .223 Rem (with Sabatti standard magazine) |
|-----------------|---|



www.sabatti.com



SPORTING PRO

SHOTGUNS

SPORT SHOOTING

Clay target shooting is not a sporting field of choice for Sabatti. However, we know how to make over-and-under shotguns capable of competing and win.

The Sporting Pro is an over-and-under shotgun designed by Sabatti, with features that allow it to compete with the best competitive shotguns. Featuring an Anson & Deeley boxlock action, the action is machined from a single block of forged

steel. The barrels are made of special steel, lapped and chromed internally, coupled according to the best Sabatti quality standards. The shotgun features a non-selective single trigger. The ventilated rib and fiber front sight allow a rapid aiming action,

with external interchangeable chokes to adapt the firearm to various shooting conditions. The stock has an adjustable cheek rest, pistol grip and rubber butt plate, with select oil-rubbed walnut woods with an "Optowood" finish.



RR

Sport Shooting Over&Unders

BOLT ACTION
SPORTING PRO



www.sabatti.com

| Action | Barrel | Chokes | Stock | Trigger | Safety | Sights | Weight |
|------------------------|-----------|---------------------------|-------|--------------------------------|--------|-------------------------|-------------------|
| Boxlock Anson & Deeley | 76 cm/30" | Interchangeable, external | Wood | Single trigger (non selective) | Manual | Fiber optic front sight | 3.5 kg 7.7 lbs |
| Calibers | 12/70 | | | | | | |

TRAP PRO



The Trap Pro is an over-and-under shotgun designed by Sabatti, with features that allow it to compete with the best competitive shotguns. Featuring an Anson & Deeley boxlock action, the action is machined from a single block of forged steel. The

barrels are made of special steel, lapped and chromed internally, coupled according to the best Sabatti quality standards. The shotgun features a selective single trigger. The ventilated rib and fiber front sight allow a rapid aiming action, with internal

interchangeable chokes to adapt the firearm to various shooting conditions. The stock has an adjustable cheek rest, pistol grip and rubber butt plate, with select oil-rubbed walnut woods with an "Optowood" finish.



BOLT ACTION TRAP PRO

| Action | Barrel | Chokes | Stock | Trigger | Safety | Sights | Weight |
|------------------------|-----------|-----------------|-------|--------------------------------|--------|-------------------------|-------------------|
| Boxlock Anson & Deeley | 76 cm/30" | Interchangeable | Wood | Single trigger (non selective) | Manual | Fiber optic front sight | 3.5 kg 7.7 lbs |

| | |
|----------|-------|
| Calibers | 12/70 |
|----------|-------|



www.sabatti.com



RIFLES

HUNTING

When it comes to hunting rifles, Sabatti puts into play all its experience: tested on hunting grounds all over the world, by expert hunters on every continent.

The Sabatti SAPHIRE is a bolt-action hunting rifle with a simple design and surprising features. The rifle adopts a proprietary three-lug action, different from the Rover action, housed inside a receiver made of high-strength 7075 aluminum alloy, with an

integral Picatinny rail machined above it. The Saphire rifle features a standard Sabatti trigger, which can be replaced with an optional Stecher or a Match type Sabatti trigger. The barrel is equipped with adjustable sights, cold

hammered with Sabatti MRR multi-radial rifling and threaded muzzle, to allow the mounting of a possible muzzle brake.



BOLT ACTION SAPHIRE



www.sabatti.com

| Action | Barrel | Rifling | Stock | Trigger | Magazine | Safety | Sights | Weight |
|---|--|-------------|-------|------------------|-------------------|---------------------|---------------------------------------|-------------------|
| Steel 3-lug bolt, aluminum alloy receiver | 61-65 cm / 24"-25.6" 16 mm threaded muzzle | Sabatti MRR | Wood | Sabatti Standard | Sabatti, 3 rounds | Manual, 2 positions | Adjustable, with 0 MOA Picatinny rail | 3.3 kg 7.3 lbs |
| Calibers | .243 Win, .270 Win, 6,5x55 SE, 6,5 Crdmmr, 7x57, 7x64, 7 mm Rem Mag, .30-06 Spr, .308 Win, .300 Win Mag, 8x57 JS | | | | | | | |

SAPHIRE E.R.



The Sabatti Saphire E.R. (Extended Range) rifle was designed to allow accurate hunting shots at longer distances. Cold hammered with Sabatti MRR multi-radial rifling and a threaded muzzle, the barrel is mounted on a three-lug action with a 7075

aluminum alloy receiver, with an integral Picatinny rail machined above it. The trigger group is a Sabatti Match. The thumbhole stock is made of fiberglass-reinforced polymer to keep weight down while maintaining strength. The cheek rest is

adjustable in height, while the generous rubber butt plate helps absorb the recoil of even magnum calibers and is extendable, using special spacers supplied as standard.



BOLT ACTION SAPHIRE E.R.

| Action | Barrel | Rifling | Stock | Trigger | Magazine | Safety | Sights | Weight |
|---|---|-------------|---------|---------------|-------------------|---------------------|---------------------------------|-------------------|
| Steel 3-lug bolt, aluminum alloy receiver | 61-65 cm / 24"-25.6" 18 mm threaded muzzle | Sabatti MRR | Polymer | Sabatti Match | Sabatti, 3 rounds | Manual, 2 positions | None, with 0 MOA Picatinny rail | 3,4 kg 7.5 lbs |

| | |
|-----------------|--|
| Calibers | 6,5x55 SE, 6.5 Crdmmr, 7x64, 7mm Rem Mag, .270 Win, .30-06 Spr, .308 Win, .300 Win Mag |
|-----------------|--|



www.sabatti.com

The Rover series hunting rifles continue the tradition of quality and reliability of Sabatti's gun production. Three-lug action with receiver machined from solid high-strength 7075 aluminum alloy, with integral Picatinny rail.

Standard Sabatti trigger package, replaceable with optional Stecher or Match type triggers. Barrel with barrel extension, cold hammered with latest generation traditional Sabatti rifling and threaded muzzle.

In wood or polymer, Rover stocks combine style and lightness with improved ergonomics. A multifunction M-Lok plate allows the mounting of bipods and accessories, while the cheek rest and butt plate are interchangeable thanks to an optional kit.



BOLT ACTION
ROVER HUNTER



www.sabatti.com

| Action | Barrel | Rifling | Stock | Trigger | Magazine | Safety | Sights | Weight |
|---|---|------------------|---------|------------------|-------------------|---------------------|---------------------------------|-------------------|
| Steel 3-lug bolt, aluminum alloy receiver | 51-56-61 cm / 20"-22"-24" 16 mm threaded muzzle | Sabatti Standard | Polymer | Sabatti Standard | Sabatti, 3 rounds | Manual, 2 positions | None, with 0 MOA Picatinny rail | 2,8 kg 6,2 lbs |
| Calibers | .222 Rem, .223 Rem, .243 Win, .270 Win, 6,5x55 SE, 6,5 Crdmr, 7mm Rem Mag, .30-06 Spr, .308 Win, .300 Win Mag | | | | | | | |

ROVER HUNTER Classic Pro



The Rover Hunter Classic Pro Carbine is a visually elegant version of the Rover Hunter Classic, thanks to the wooden stock made with Optowood finish, aesthetically very appealing. Three-lug Rover action, with high-strength 7075 aluminum

alloy receiver and integral Picatinny rail. Standard Sabatti trigger package, replaceable with optional Stecher or Match type triggers. Barrel with barrel extension, cold hammered with latest generation traditional Sabatti rifling, threaded muzzle

and Sabatti Jet-Brake as standard. As with all Rover models, a multifunction M-Lok plate under the fore-end allows for the mounting of bipods and accessories, while the cheek rest and butt plate are interchangeable thanks to an optional kit



BOLT ACTION ROVER HUNTER CLASSIC PRO

| Action | Barrel | Rifling | Stock | Trigger | Magazine | Safety | Sights | Weight |
|---|--|------------------|------------------------------|------------------|-------------------|---------------------|---------------------------------|-------------------|
| Steel 3-lug bolt, aluminum alloy receiver | 51-56-61 cm / 20"-22"-24" 16 mm threaded muzzle | Sabatti Standard | Walnut, with Optowood finish | Sabatti Standard | Sabatti, 3 rounds | Manual, 2 positions | None, with 0 MOA Picatinny rail | 2.8 kg 6.2 lbs |

| | |
|-----------------|---|
| Calibers | .222 Rem, .223 Rem, .243 Win, .270 Win, 6,5x55 SE, 6,5 Crdmr, 7mm Rem Mag, .30-06 Spr, .308 Win, .300 Win Mag |
|-----------------|---|



www.sabatti.com

The Rover Varmint Syn rifle responds to the requests of Sabatti hunters. The basic features remain those of the Rover Varmint target model: three-lug bolt, 7075 aluminum alloy receiver and integral Picatinny rail; Match trigger; 20mm heavy barrel, cold

hammered with Sabatti MRR rifling. The Rover Varmint Syn also features a Sabatti Jet-Brake muzzle brake, but above all, a thumbhole hunting stock with camo finish, with adjustable cheek rest and interchangeable butt pad length.

The thumbhole design is the same one used on other Sabatti successful models, made of a polymer that is very resistant to bending and breakage, even in particularly adverse weather conditions.



BOLT ACTION
ROVER VARMINT SYN



www.sabatti.com

| Action | Barrel | Rifling | Stock | Trigger | Magazine | Safety | Sights | Weight |
|---|---|-------------|---------|---------------|------------------------|---------------------|---------------------------------|-------------------|
| Steel 3-lug bolt, aluminum alloy receiver | 51-61 cm / 20"-24" 20 mm threaded muzzle | Sabatti MRR | Polymer | Sabatti Match | Sabatti AICS, 7 rounds | Manual, 2 positions | None, with 0 MOA Picatinny rail | 3.8 kg 8.4 lbs |
| Calibers | 6,5x47 Lapua, 6.5 Crdmr, .308 Win | | | | | | | |

ROVER CARBON



Hunting in the mountains imposes some specific critical issues, and hunters know that one of these is the weight of the equipment. For this reason, rifles with carbon fiber stocks are increasingly popular among mountain hunters.

The Sabatti Rover Carbon stands out from all the others for the quality of its stock: a “real” monocoque, in 100% pure carbon fiber, a Sabatti patent, unique in its kind, on a rifle weighing just 2.5 kg. With Rover three-lugs action on 7075 aluminum alloy

receiver, cold hammered fluted barrel with Sabatti MRR rifling, Sabatti Jet-Brake muzzle brake and Stecher trigger, the Rover Carbon rifle does not fear comparisons.



2,5 KG The Rover Carbon rifle is ultralight, thanks to a one of a kind, patented monocoque carbon fiber stock



BOLT ACTION ROVER CARBON

| Action | Barrel | Rifling | Stock | Trigger | Magazine | Safety | Sights | Weight |
|---|-------------------------------------|-------------|--------------|-----------------|-------------------|---------------------|---------------------------------|-------------------|
| Steel 3-lug bolt, aluminum alloy receiver | 56cm / 22" 16 mm threaded muzzle | Sabatti MRR | Carbon fiber | Sabatti Stecher | Sabatti, 3 rounds | Manual, 2 positions | None, with 0 MOA Picatinny rail | 2.5 kg 5.5 lbs |

| | |
|-----------------|---|
| Calibers | .270 Win, 6.5 Crdmmr, 7mm Rem Mag, .308 Win, .300 Win Mag |
|-----------------|---|



www.sabatti.com

The Sabatti Rover family of rifles offers models with configurations intended for all kind of hunts. With the other Sabatti Rover models, the Pathfinder rifle shares the three-lug Rover action, with 7075 aluminum alloy receiver and integral

Picatinny rail; standard Sabatti trigger; cold hammered fluted barrel with high quality standard Sabatti rifling and 18 mm diameter threaded muzzle; multifunction M-Lok mount under the forend.

On the other hand, the Rover Pathfinder rifle stands out from the other Rover models for the camo finish of the stock, made of high-resistance polymer, with an optional kit of two heights cheek rests and butt plate adjustment spacers.



32



BOLT ACTION
ROVER PATHFINDER



www.sabatti.com

| Action | Barrel | Rifling | Stock | Trigger | Magazine | Safety | Sights | Weight |
|---|--|------------------|---------------|------------------|-------------------|---------------------|---------------------------------|-------------------|
| Steel 3-lug bolt, aluminum alloy receiver | 51 cm / 20" 18 mm threaded muzzle | Sabatti Standard | Polymer, camo | Sabatti Standard | Sabatti, 3 rounds | Manual, 2 positions | None, with 0 MOA Picatinny rail | 2,8 kg 6.2 lbs |
| Calibers | (AICS magazine) 6.5 Crdmr, .30-06 Spr, 308 Win - (Sabatti magazine) .300 Win Mag | | | | | | | |

ROVER ALASKAN



The Alaskan model is one of the most versatile of the Rover hunting rifle family, characterized by a polymer stock covered with a green Soft-Touch finish, with barrel and action with a chrome-plated Cerakote matte finish. Another distinctive

element is the adjustable sight, with fiber optic front sight, which make the rifle ready to tackle any type of hunting, even without the use of optics. The action is the Rover one with three tenon action with 7075 aluminum alloy receiver; standard Sabatti

trigger; barrel with standard Sabatti rifling, 18mm at the muzzle, with Sabatti Jet-Brake muzzle brake; M-Lok multifunction plate under the forend; and all the optional interchangeable accessories from the Rover family.



33

BOLT ACTION ROVER ALASKAN

| Action | Barrel | Rifling | Stock | Trigger | Magazine | Safety | Sights | Weight |
|---|-----------------------------------|------------------|---------------------------------|------------------|------------------------|---------------------|---------------------------------------|-------------------|
| Steel 3-lug bolt, aluminum alloy receiver | 61 cm / 24" 18 mm threaded muzzle | Sabatti Standard | Polymer, with Soft-Touch finish | Sabatti Standard | Sabatti AICS, 7 rounds | Manual, 2 positions | Adjustable, with 0 MOA Picatinny rail | 2,8 kg 6,2 lbs |

| | |
|-----------------|--|
| Calibers | (AICS magazine) 6.5 Crdmmr, .308 Win - (Sabatti magazine) .222 Rem, .223 Rem, .243 Win, .270 Win, 6,5x55 SE, 7mm Rem Mag, .30-06 Spr, .300 Win Mag |
|-----------------|--|



www.sabatti.com

The Rover Scout is an ideal hunting rifle for hunting situations where the compactness of the weapon is important, with a Rover stock in polymer covered with a Soft-Touch finish which offers excellent grip at any temperature. Three-lug Rover action, with 7075 aluminum alloy receiver;

standard Sabatti trigger; short barrel with standard Sabatti rifling; M-Lok multifunction plate under the forend; and all the optional interchangeable accessories from the Rover family. Among the distinctive features of the Rover Scout rifle we have a hybrid birdcage flash hider mounted on the threaded muzzle,

with a front sight with fiber optic inserts and a folding rear sight placed on an additional Picatinny rail on the barrel, which allows to use additional digital aiming systems.



34

BOLT ACTION
ROVER SCOUT



www.sabatti.com

| Action | Barrel | Rifling | Stock | Trigger | Magazine | Safety | Sights | Weight |
|---|--|------------------|---------------------------------|------------------|------------------------|---------------------|--------------------------------------|-------------------|
| Steel 3-lug bolt, aluminum alloy receiver | 46 cm / 18.1" 18 mm threaded muzzle | Sabatti Standard | Polymer, with Soft-Touch finish | Sabatti Standard | Sabatti AICS, 7 rounds | Manual, 2 positions | Flip-Up rear and long Picatinny rail | 2.8 kg 6.2 lbs |
| Calibers | (AICS magazine) 6.5 Crdmmr, .308 Win - (Sabatti magazine) .222 Rem, .223 Rem, .30-06 Spr | | | | | | | |

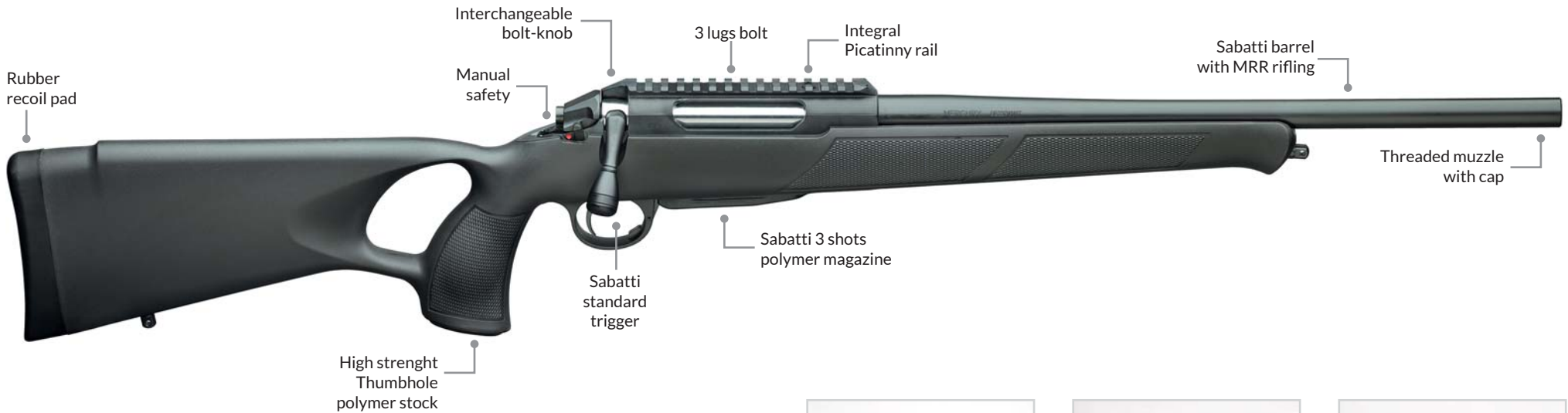
ROVER ALL AROUND



The Rover All Around hunting rifle is a model designed for hunting in the woods, for precision shooting at medium-low distances on fast game, such as wild boars. The general characteristics are those common to the entire

Rover family, with some variations: three-lug action with 7075 aluminum alloy receiver; integral Picatinny rail on the action, but full length, to allow the mounting of any type of optical or night/thermal sight; standard Sabatti trigger, replaceable with

optional Sabatti Stecher or Match triggers; barrel with Sabatti MRR rifling, 45cm long and 19mm muzzle diameter, for optimal balance when following a target with the thumbhole stock with which it is equipped.



BOLT ACTION

ROVER ALL AROUND

| Action | Barrel | Rifling | Stock | Trigger | Magazine | Safety | Sights | Weight |
|---|-------------------------------------|-------------|---------|------------------|-------------------|---------------------|---------------------------------|----------------|
| Steel 3-lug bolt, aluminum alloy receiver | 45 cm / 17.7" 19 mm threaded muzzle | Sabatti MRR | Polymer | Sabatti Standard | Sabatti, 3 rounds | Manual, 2 positions | None, with 0 MOA Picatinny rail | 2.9 kg 6.4 lbs |

| | |
|----------|----------|
| Calibers | .308 Win |
|----------|----------|



www.sabatti.com

The Rover Patrol is a compact rifle, with a clearly tactical connotation which makes it ideal as a self defense weapon, easy to transport even inside vehicles, but also versatile in those hunting situations in which the compactness of the weapon is a useful

advantage. Three-lug Rover action, with 7075 aluminum alloy receiver; standard Sabatti trigger; short barrel with standard Sabatti rifling and threaded muzzle with hybrid birdcage flash hider; adjustable rear sight and front sight with fiber optic inserts;

multifunction M-Lok plate under the forend, for mounting a bipod; and all the optional interchangeable accessories from the Rover family. The robust Sabatti polymer stock offers excellent performance in any temperature and use condition.



BOLT ACTION
ROVER PATROL



www.sabatti.com

| Action | Barrel | Rifling | Stock | Trigger | Magazine | Safety | Sights | Weight |
|---|--|------------------|---------|------------------|------------------------|---------------------|---------------------------------------|-------------------|
| Steel 3-lug bolt, aluminum alloy receiver | 46 cm / 18.1" 18 mm threaded muzzle | Sabatti Standard | Polymer | Sabatti Standard | Sabatti AICS, 7 rounds | Manual, 2 positions | Adjustable, with 0 MOA Picatinny rail | 2,8 kg 6.2 lbs |
| Calibers | (AICS magazine) 6.5 Crdmmr, .308 Win - (Sabatti magazine) .222 Rem, .223 Rem, .30-06 Spr | | | | | | | |

ROVER LEFT HAND



The Sabatti Rover Left-Hand rifle is the left-handed version of the original Rover line of bolt-action rifles, designed for wildlife culling at medium distances. Unlike other models in the current Rover rifle line, the Rover

Left Hand uses a two-lug action with a steel receiver. It mounts a standard 1.2 kg Sabatti trigger, which can be replaced with an optional stecher type trigger. The barrel is cold hammered with standard Sabatti rifling and is

equipped with an adjustable rear sight and ramped front sight, while the action has tapped holes for mounting scope mounts. The wooden stock has a classic Monte Carlo profile, with a pistol grip.



37

BOLT ACTION ROVER LEFT HAND

| Action | Barrel | Rifling | Stock | Trigger | Magazine | Safety | Sights | Weight |
|----------------------------------|---|------------------|--------|------------------|-------------------|---------------------|-----------------------|-------------------|
| Steel 3-lug bolt, steel receiver | 56-61-65 cm / 22"-24"-25.6" 16 mm muzzle | Sabatti Standard | Walnut | Sabatti Standard | Sabatti, 3 rounds | Manual, 2 positions | Adjustable rear sight | 3.3 kg 7.3 lbs |

| | |
|-----------------|-------------------------------|
| Calibers | 8x57 JS, .30-06 Spr, .308 Win |
|-----------------|-------------------------------|



www.sabatti.com



MANTUCCI CARMI-SABATI-CARDONE UT

12-76
2020

12-76
2020

SHOTGUNS

HUNTING

Whether they are side-by-sides or over-and-unders, the reliability of hunting shotguns depends on the quality of actions, locks, barrels and their couplings. And Sabatti proves it.

The Sabatti Mini Ranger is a .410 caliber hunting side-by-side, elegant and lightweight, with hand-finished details and surfaces. A side-by-side shotgun for expert hunters and for all those wishing to experience hunting in all its facets.

The steel action is based on the traditional Anson & Deeley boxlock system, modified by Sabatti for the .410 caliber. The small and slender barrels are made of special steel, with manual extractors, and ensure uniform patterns shot after shot.

The woods are selected walnut, with hand-checked and oil-polished stock and fore-end. Upon request, the stock grip can be pistol or straight, and the trigger can be double or single trigger.



40



DOPPIETTE
MINI RANGER



www.sabatti.com

| Action | Barrel | Chokes | Stock | Trigger | Safety | Sights | Weight |
|------------------------|--------------------|--------|-------|--------------------------|--------|-------------|-----------------|
| Anson & Deeley Boxlock | 66-71 cm / 26"-28" | None | Wood | Double or single Trigger | Manual | Front sight | 2.3 kg 5 lbs |
| Calibers | 12/70 | | | | | | |

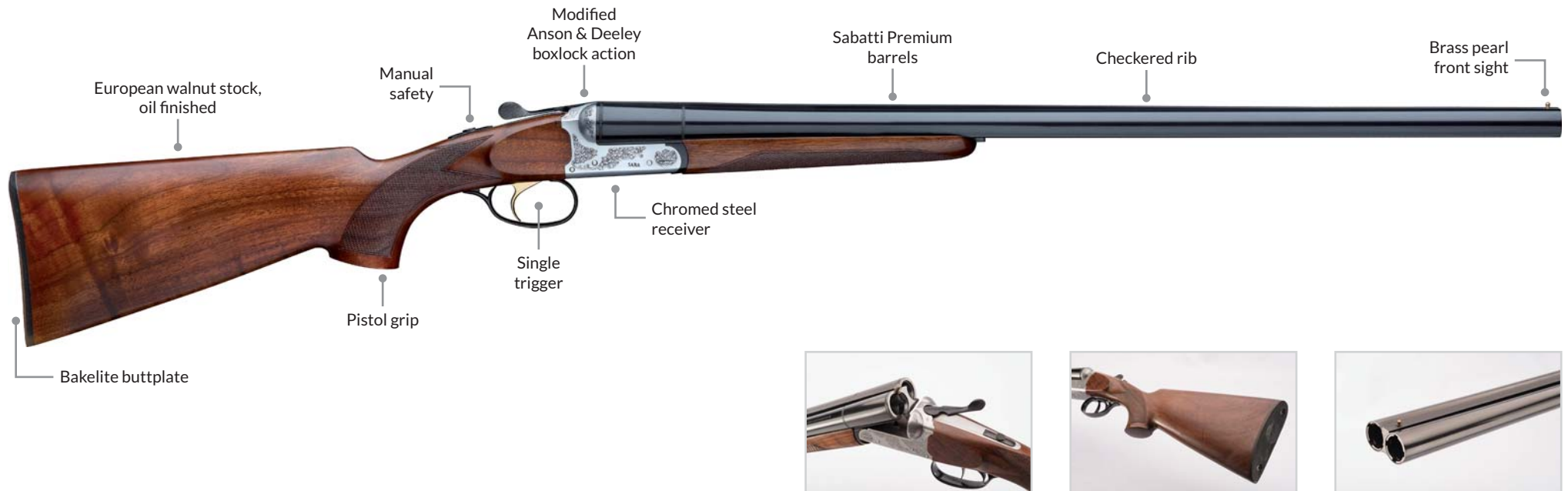
SABA and SABA A. E.



The SABA model is a classic hunting side-by-side shotgun with internal hammers and a sober and elegant profile, in the most traditional Italian style. The action is made from a forged block of high-strength steel, based on a boxlock design with improved

Anson & Deeley battery system, with single trigger. The barrels have manual extractors and are made of special steel, lapped and chromed internally to offer maximum performance both from a ballistic and durability point of view.

The stock has a pistol grip, with selected walnut wood, hand-rubbed with oil. Upon request, the shotgun is available with a straight English stock, automatic extractors and double trigger.



DOPPIETTE SABA

| Action | Barrel | Chokes | Stock | Trigger | Safety | Sights | Weight |
|------------------------|--------------------|-----------------|-------|--------------------------|--------|-------------|-------------------|
| Anson & Deeley Boxlock | 66-71 cm / 26"-28" | Interchangeable | Wood | Single or double Trigger | Manual | Front sight | 2,6 kg 5,7 lbs |
| Calibers | 12/70 | | | | | | |



www.sabatti.com

The Sabatti Canardier is a side-by-side shotgun designed for stalking ducks and geese. The oversized action is made from a forged block of steel, built on an Anson & Deeley boxlock system. The barrels have manual extractors: they are made of special

steel, lapped and chromed to offer optimal performance even when using steel shot and equipped with interchangeable Multichoke chokes, for long and very long shots. The rib has tapped holes for mounting optics and red dot sights.

The walnut stock is checkered and polished by hand. Inside the stock, a lead insert helps improve the balance of the shotgun and better absorb recoil.



Mono/Double trigger system
Pressing the front trigger fires two shots, discharging both barrels at the same time. Instead, by first pressing the rear trigger, then the front one, the two shots are fired separately.



DOPPIETTE
CANARDIER



www.sabatti.com

| Action | Barrel | Chokes | Stock | Trigger | Safety | Sights | Weight |
|------------------------|-------------|------------|-------|--------------------------|--------|-------------|--------------------|
| Anson & Deeley Boxlock | 81 cm / 32" | Multichoke | Wood | Double or single Trigger | Manual | Front sight | 5,1 kg 11.2 lbs |
| Calibers | 12/89 | | | | | | |

FALCON and ADLER



The Sabatti Falcon is an over/under hunting shotgun designed for those who want the best quality/price ratio. Perfectly balanced, the Sabatti Falcon receiver is machined from forged steel, based on a boxlock design with the classic Anson & Deeley system.

The special steel barrels are lapped and chromed, coupled according to the best Sabatti quality standards. The shotgun is equipped with a ventilated rib, manual extractors, single selective trigger and pistol grip, with oil-rubbed walnut.

Visually similar, the Sabatti Adler is the lightened version of the Falcon model: with a 7075 aluminum alloy receiver, it is a lightweight over/under shotgun ideal for all mountain and typical alpine hunting enthusiasts.



SOVRAPPOSTI ADLER

| Action | Barrel | Caliber | Chokes | Stock | Trigger | Safety | Sights | Weight |
|------------------------|--------------------|--------------|-----------------|-------|------------------------------------|--------|-------------|------------------|
| Anson & Deeley Boxlock | 66-71 cm / 26"-28" | 12/76, 20/76 | Interchangeable | Wood | Selective single or double trigger | Manual | Front sight | 2,4 kg / 5.3 lbs |

FALCON

| Action | Barrel | Caliber | Chokes | Stock | Trigger | Safety | Sights | Weight |
|------------------------|-------------|--------------|-----------------|-------|------------------------------------|--------|-------------|------------------|
| Anson & Deeley Boxlock | 71 cm / 28" | 12/76, 20/76 | Interchangeable | Wood | Selective single or double trigger | Manual | Front sight | 2,7 kg / 4.8 lbs |



www.sabatti.com



BREAK-ACTION RIFLES

HUNTING

Break-Action rifles belong to one of the most deeply rooted hunting traditions in the European hunting culture. A world where Sabatti knows exactly what hunters want.

The Sabatti Forest over and under shotgun is a classic “billing”, a hunting combination gun with two barrels, one smooth and one rifled, designed in the most traditional European style to cope with various types of hunting conditions.

The action is made from a forged block of high-strength steel, based on an Anson & Deeley system, with excellent performance in terms of mechanical robustness. The barrels are made of special steel, with the rifled one made by

cold hammering, which guarantees high ballistic performance. The two barrels are controlled by a double trigger. The pistol grip and forend are made of selected walnut, hand checked and oil polished.



COMBINATI
FOREST



www.sabatti.com

| Action | Barrel | Rifling | Stock | Trigger | Capacity | Safety | Sights | Weight |
|--|---|------------------|--------------------------------|----------------|----------|--------|--------------------|-----------------|
| Anson & Deeley Boxlock, steel receiver | 60 cm / 23.6" | Sabatti Standard | Selected walnut, hand finished | Double trigger | 2 rounds | Manual | Flip-Up rear sight | 3.2 kg 7 lbs |
| Calibers | 12/76 + 6,5x55SE, 7x57R, 7x65R, .30-06 Spr, .308 Win, 8x57JRS, 9,3x74R - 20/76 + .22 Hornet, .222 Rem | | | | | | | |

SKL-20 kipplauf



The Sabatti SKL-20 is a single-shot rifle with a break-action mechanism with a modern, yet traditionally European design. The action is made from a block of high-strength aluminum alloy, with a classic Jäger block locking system, improved by Sabatti

with conical lugs which ensure a more stable lock than anything on other similar rifles. The barrel is cold hammered with Sabatti MRR rifling, with adjustable rear sight and 11 mm rail for mounting aiming optics.

The trigger is equipped with a manual cocking system that is easy to activate and deactivate. Stock and fore-end are made of walnut, hand-checked and oil-polished.



KIPPLAUF SKL - 20

| Action | Barrel | Rifling | Stock | Trigger | Capacity | Safety | Sights | Weight |
|---------------------------------------|-------------|-------------|--------|------------------|-------------|---------------------------|-----------------------|--------------------|
| Break-action, aluminum alloy receiver | 61 cm / 24" | Sabatti MRR | Walnut | Sabatti Standard | Single shot | Cock/Decock manual system | Adjustable rear sight | 2.6 kg 5.73 lbs |

| | |
|-----------------|--|
| Calibers | .243 Win, 6,5x57R, .270 Win, 7x57R, 7x65R, .30-06 Spr, .308 Win, .300 Win Mag, 8x57JRS |
|-----------------|--|



www.sabatti.com

AFRICAN PH

WITH WOODLEIGH BULLETS

The best for the beast. Dangerous Big Game deserve truly field-proven components. Norma quality nickel plated cartridges loaded with the tough Woodleigh bullets will give you that comfortable solid assurance. Kynoch-profiled unbreakable full metal jacket or tough gilding metal soft nose. Make your choice!

BONDED SOFT NOSE

Woodleigh's Weldcore Soft Nose is made from 1.6mm thick gilding metal tapered to provide for reliable expansion. Lead core is fused to the gilding metal inner walls to ensure maximum weight retention. Kynoch profile for ease of regulating double rifles.



BONDED BULLET



NORMA CASE

NORMA POWDER

PRIMER

500 NITRO EXPRESS 3"



EXPRESS RIFLES

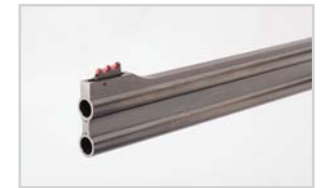
HUNTING

Given their typical field of use, Big Game Hunting, Express hunting rifles are synonymous with robustness and power: two aspects where Sabatti Express offer all the necessary reliability.

The Sabatti 190 and 195 are over-and-under “Express” type rifles, designed to offer robustness, reliability and shooting precision when hunting large animals. The action is made from a high-strength forged steel block,

with manual extractors. The coupling of the two rifled barrels is carried out by hand, with high quality standards which make them very reliable and constant in performance. The rear sight and front sight are mounted on the upper rib,

with fiber optic inserts for quick instinctive alignment. The rib is tapped for mounting scope mounts. The stock and fore-end are made of walnut, hand-checked and oil-polished.



EXPRESS
190 - 195



www.sabatti.com

| Action | Barrel | Rifling | Stock | Trigger | Capacity | Safety | Sights | Weight |
|--|---|------------------|--------------------------------|--------------------------|----------|--------|-------------------------|-------------------|
| Anson & Deeley Boxlock, steel receiver | 60 cm / 23.6" | Sabatti Standard | Selected walnut, hand finished | Single or double trigger | 2 rounds | Manual | Fiber optic, adjustable | 3.3 kg 7.3 lbs |
| Calibers | .30R Blaser, .30-06 Spr, 8x57JRS, 9,3x74R | | | | | | | |

Express CLASSIC 92



The Sabatti Classic 92 is an Express hunting rifle with a very traditional design. The sturdy action is made from a forged and then machined block of high-strength steel. The barrels are made of special cold hammered steel and are fitted with manual

extractors as standard. The coupling of the barrels is carried out by hand, with high quality standards that guarantee shooting accuracy and consistency of performance over time. The rear sight and front sight have fiber optic inserts for quick

instinctive alignment. The rib is tapped for mounting optics mounts. The pistol grip stock with cheek rest and the forend are made of selected walnut, worked and checkered by hand and oil polished.



51



EXPRESS CLASSIC 92

| Action | Barrel | Rifling | Stock | Trigger | Capacity | Safety | Sights | Weight |
|--|---------------|------------------|--------------------------------|--------------------------|----------|--------|-----------------------------|-----------------|
| Anson & Deeley Boxlock, steel receiver | 60 cm / 23.6" | Sabatti Standard | Selected walnut, hand finished | Single or double trigger | 2 rounds | Manual | Fiber optics front and rear | 3.2 kg 7 lbs |

| | |
|-----------------|---|
| Calibers | .30R Blaser, .30-06 Spr, 8x57JRS, 9,3x74R |
|-----------------|---|



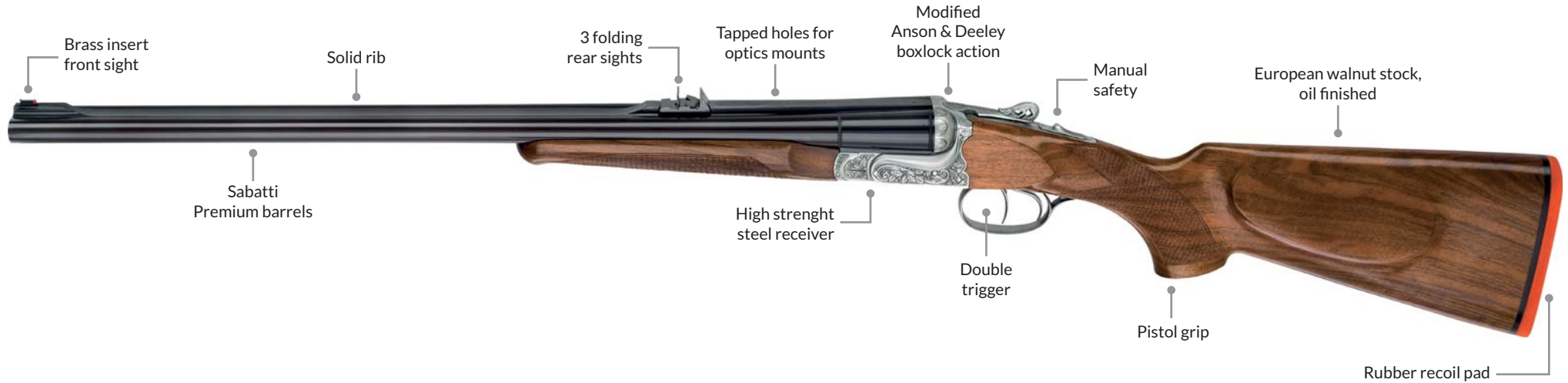
www.sabatti.com

Express SAFARI BIG FIVE

The Sabatti Safari Big Five has the characteristics of the more traditional Express rifles used for hunting the African "Big Five": elephant, african buffalo, rhinoceros, lion, leopard. Entirely designed by Sabatti, the Anson & Deeley boxlock action

guarantees a perfect lock of the action even with the most powerful calibers. The quality of the steels of the cold hammered barrels and their coupling, scrupulously made by hand, guarantee the robustness and precision that characterize all Sabatti guns.

The finishing of the metal surfaces and the finishing and oil polishing of the selected walnut woods, all done by hand, make this rifle extremely elegant. Available with double trigger and manual extractors, or with single trigger and automatic extractors.



52



EXPRESS
SAFARI BIG FIVE



www.sabatti.com

| Action | Barrel | Rifling | Stock | Trigger | Capacity | Safety | Sights | Weight |
|--|--|------------------|--------------------------------|--------------------------|----------|--------|---------------------|-------------------|
| Anson & Deeley Boxlock, steel receiver | 60 cm / 23.6" | Sabatti Standard | Selected walnut, hand finished | Double or single trigger | 2 rounds | Manual | Flip-Up rear sights | 4,4 kg 9.7 lbs |
| Calibers | .450 Nitro Express, .470 Nitro Express, .500 Nitro Express | | | | | | | |

Express SAFARI BIG FIVE EDL



The Sabatti Safari Big Five EDL is a variant with finely engraved side plates, which make the rifle aesthetically even closer to the style of the more traditional Express rifles for hunting the African "Big Five". Designed by Sabatti, the Anson & Deeley boxlock

action ensures a perfect lock of the action even with the most powerful calibers. The quality of the steels of the cold hammered barrels and their hand-made coupling guarantee the robustness and precision that characterize all Sabatti weapons.

The finish of the metal surfaces and the selected oil-rubbed walnut woods, all done by hand, make this rifle extremely elegant. Available with double trigger and manual extractors, or with single trigger and automatic extractors.



53



EXPRESS SAFARI BIG FIVE EDL

| Action | Barrel | Rifling | Stock | Trigger | Capacity | Safety | Sights | Weight |
|--|---------------|------------------|--------------------------------|--------------------------|----------|--------|---------------------|-------------------|
| Anson & Deeley Boxlock, steel receiver | 60 cm / 23.6" | Sabatti Standard | Selected walnut, hand finished | Double or single trigger | 2 rounds | Manual | Flip-Up rear sights | 4,4 kg 9.7 lbs |

| | |
|-----------------|--|
| Calibers | .450 Nitro Express, .470 Nitro Express, .500 Nitro Express |
|-----------------|--|



www.sabatti.com



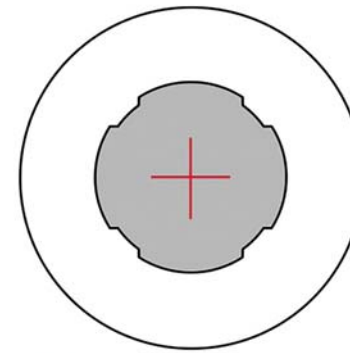
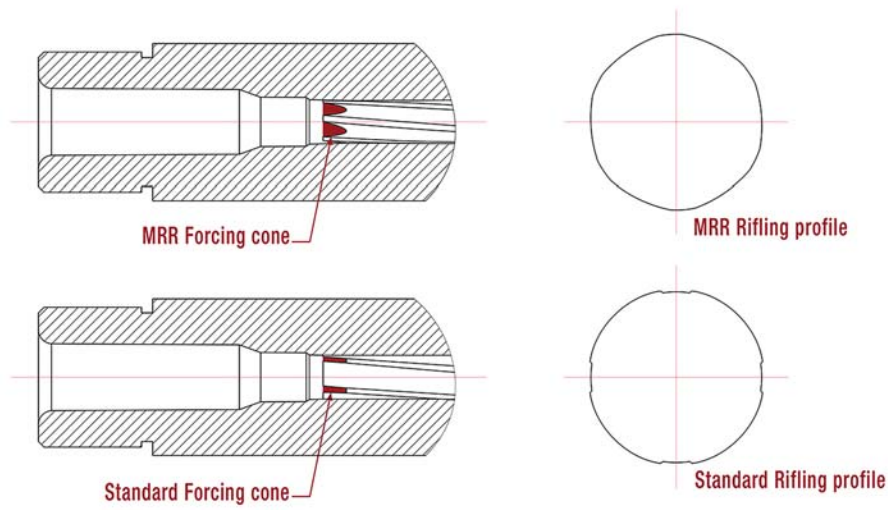
As important as actions and locking systems may be, the actual performance of any type of gun is always closely linked to the quality of the materials and workmanship of the barrels.

If there is an area where Sabatti's experience is unmatched, it is precisely in the production of barrels: a skill that the Sabatti family masters since 350 years.

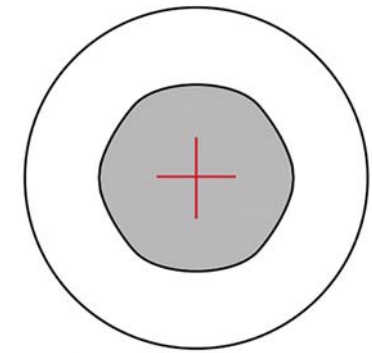
The industrial quality of Sabatti barrels is a fact. Our shooters and hunters know this well, as do some important international gun manufacturers, who turn to Sabatti for the barrels of their guns.

SABATTI
BARRELS

SABATTI MULTI-RADIAL RIFLING VS TRADITIONAL RIFLING



1) CONVENTIONAL RIFLING



2) MULTI-RADIAL SABATTI RIFLING



Multi Radial Rifling. The acronym MRR indicates an exclusive patented process with which Sabatti creates cold hammered rifled barrels with superior ballistic performance.

To enhance the shooting accuracy of rifles, many manufacturers often use the concept of “*Sub-MOA accuracy*”, i.e. the ability to obtain groups with a diameter of less than one Minute of Angle.

Thanks to our experience, the quality of the materials and the technologies applied, the shooting precision of Sabatti barrels with MRR rifling is measured in terms of “*fractions*” of MOA. How narrow a group obtained with an MRR Sabatti barrel can be, depends only upon you and the ammunition used.





MRR
BULLETS

LIVE YOUR PASSION

From Sabatti's experience in the creation of barrels with Multi Radial Rifling (MRR) for precision shooting, a family of high-performance monolithic lead-free bullets was born for sports shooting and hunting.

The MRR BULLETS brand indicates monolithic bullets in pure copper of certified quality, made with a patented process which, thanks to the innovative design and the utmost care in dimensions and finishes, guarantees optimal ballistic performance.

The monolithic MRR Bullets are designed to achieve shooting precision and consistent performance in Sabatti barrels with MRR rifling as well as in rifles with traditional rifling.





Sabatti

How much does the quality of the stock influence the performance of a rifle? A LOT.

In a modern rifle where every element is designed to guarantee reliability and shooting precision, the stock is not just the component that keeps all the others together.

Beyond the traditional pleasantness of wood or the design options offered by polymers, the construction quality and materials with which the stock is made make the difference.

Sabatti stocks are designed and manufactured with all the attention necessary to ensure all the reliability and precision that shooters and hunters expect from their weapon.

SABATTI
STOCKS



ACCESSORIES

The range of Sabatti rifles offers models that are sometimes very different from each other, but sharing a number of optional interchangeable accessories with which clients can configure their own rifle in a different way





A Showroom is the place where a company showcases its production, welcoming customers and thus creating the best conditions to establish a direct relationship with the end users.

Located not very far away from the company's production headquarters, the Sabatti Showroom is a pleasant and welcoming place open to the public, where Italian and foreign Sabatti customers can go to see live the various models and ask for information and clarifications before proceeding to make a purchase through one of Sabatti's authorized retailers.

SABATTI
SHOWROOM



Images and characteristics of the products illustrated in this catalog may change at any time without notice.

For information and updates, visit the website
www.sabatti.com



Sabatti s.p.a. 

Via Alessandro Volta, 90
25063 Gardone Val Trompia (Brescia) - Italia

WWW.SABATTI.COM

